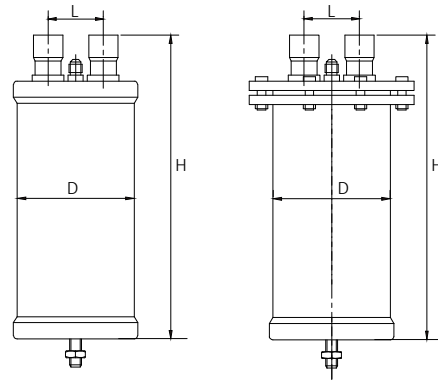


Oil Separator 油分离器



FEATURES:

- * Working temperature: -40°C to 120°C
- * Max. working pressure 35 bar; compatible with CFC, HCFC and HFC refrigerants
- * 1/4" and 3/8" SAE oil return port for option; corrosion resistant epoxy powder coating
- * 工作温度：-40°C 至 120°C
- * 最大工作压力为 35 bar；适用于 CFC, HCFC 和 HFC 制冷剂
- * 可选 1/4" 或 3/8" SAE 回油口；表面涂层采用抗腐蚀的环氧粉末喷涂



Hermetic Oil Separator 封闭式油分离器

Model	Conn. ODF	Oil Return SAE	Nominal Capacity (kW) at evaporating temperature								Pre-charge Volume	Volume	Dimension mm			
			R404A / R507		R134a		R22 / R407C		R410A				D	L	H	
			-40 °C	+5 °C	-40 °C	+5 °C	-40 °C	+5 °C	-40 °C	+5 °C						
FDW-55833	3/8"	1/4"	5.1	6.8	3.1	6.0	5.0	6.8	9.3	10.3	0.4 L	1.47 L	102	48	248	
FDW-55824	1/2"		5.3	7.0	3.2	6.2	5.3	7.1	8.1	10.6		1.73 L				272
FDW-55855	5/8"		14.2	19.3	11.4	15.8	15.9	19.5	24.0	29.3		2.17 L				335
FDW-55855A			2.36 L	360												
FDW-55866	3/4"		14.6	19.5	11.6	15.9	16.0	19.6	24.2	29.5		2.36 L				365
FDW-55877	7/8"		22.8	29.2	16.7	22.4	24.8	28.3	37.4	42.7		2.47 L				382
FDW-55877A			2.91 L	442												
FDW-55889	1-1/8"		30.0	37.6	22.4	29.9	31.8	37.2	48.0	56.2		2.70 L				412
FDW-55889A			3.13 L	472												
FDW-559011	1-3/8"		36.7	49.0	28.1	40.4	40.5	47.8	61.4	72.2		3.28 L				492
FDW-559011A		3.47 L	517													
FDW-569011	1-3/8"	3/8"	41.0	50.8	33.4	48.4	45.2	49.8	68.7	74.8	0.8 L	6.20 L	159	75	402	
FDW-569211	1-3/8"		41.0	50.8	33.4	48.4	45.2	49.8	-	-		7.50 L				472
FDW-569213	1-5/8"		51.4	65.2	41.3	56.3	56.5	63.4	85.6	96.2		7.50 L				476
FDW-569417	2-1/8"		88.5	108.6	63.3	89.0	91.4	105.5	-	-		7.50 L				517
FDW-569417	2-1/8"		88.5	108.6	63.3	89.0	91.4	105.5	-	-		7.50 L				482

Top Flange Oil Separator 法兰可拆式油分离器

Model	Conn. ODF	Oil Return SAE	Nominal Capacity (kW) at evaporating temperature								Pre-charge Volume	Volume	Dimension mm							
			R404A / R507		R134a		R22 / R407C		R410A				D	L	H					
			-40 °C	+5 °C	-40 °C	+5 °C	-40 °C	+5 °C	-40 °C	+5 °C										
FDW-5301	1/2"	1/4"	5.3	7.0	3.2	6.2	5.3	7.1	8.1	10.6	0.4 L	1.70 L	102	50	275					
FDW-5302	5/8"		14.2	19.3	11.4	15.8	15.9	19.5	24.0	29.3		2.38 L				370				
FDW-5303	7/8"		22.8	29.2	16.7	22.4	24.8	28.3	37.4	42.7		2.98 L				455				
FDW-5304			30.0	37.6	22.4	29.9	31.8	37.2	48.2	56.2		3.16 L				482				
FDW-5305	1-3/8"		36.7	49.0	28.1	40.4	40.5	47.8	61.4	72.2		3.44 L				520				
FDW-6303	1-3/8"		41.0	50.8	33.4	48.4	45.2	49.8	68.7	74.8		0.8 L				6.20 L	159	75	404	
FDW-6304			51.4	65.2	41.3	56.3	56.5	63.4	85.6	96.2						7.20 L				476
FDW-6305			88.5	108.6	63.3	89.0	91.4	105.5	-	-						8.30 L				530
FDW-6305			2-1/8"	88.5	108.6	63.3	89.0	91.4	105.5	-						-				8.30 L